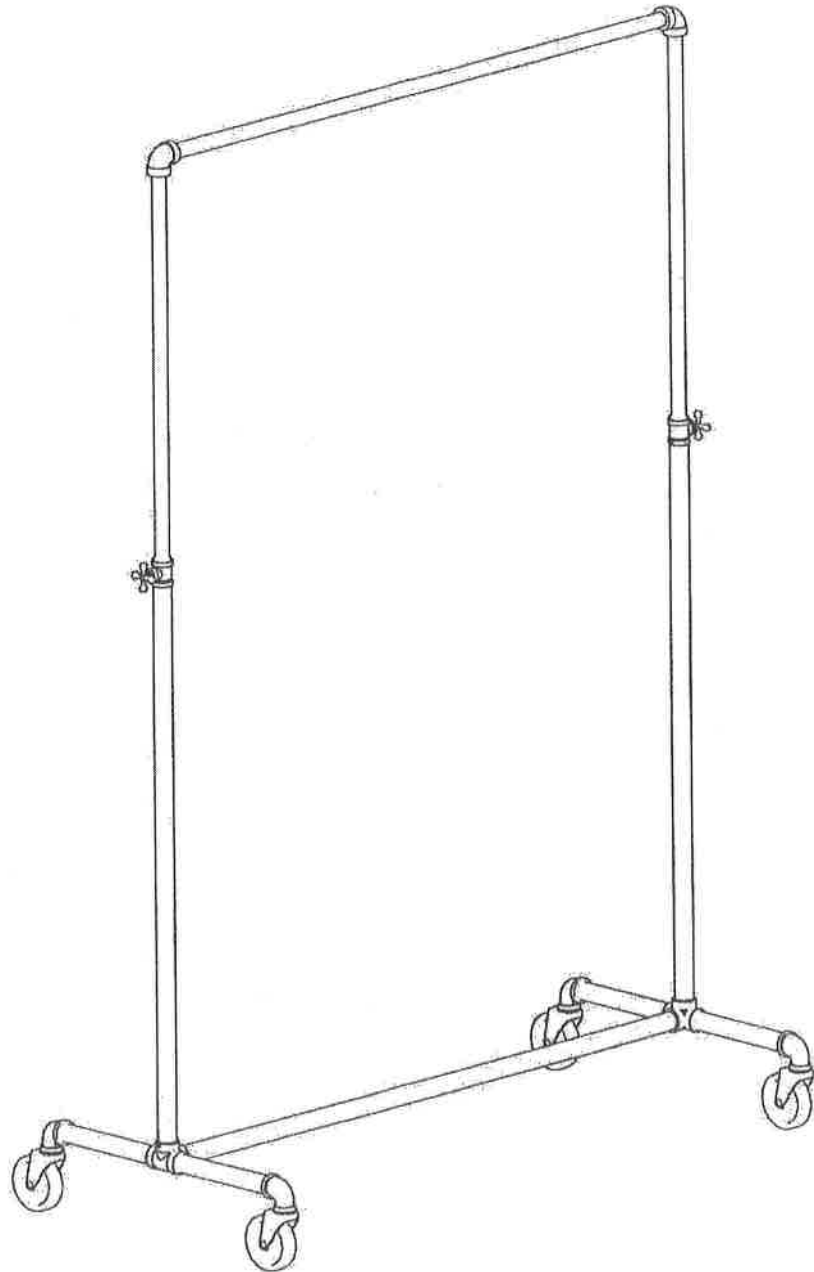
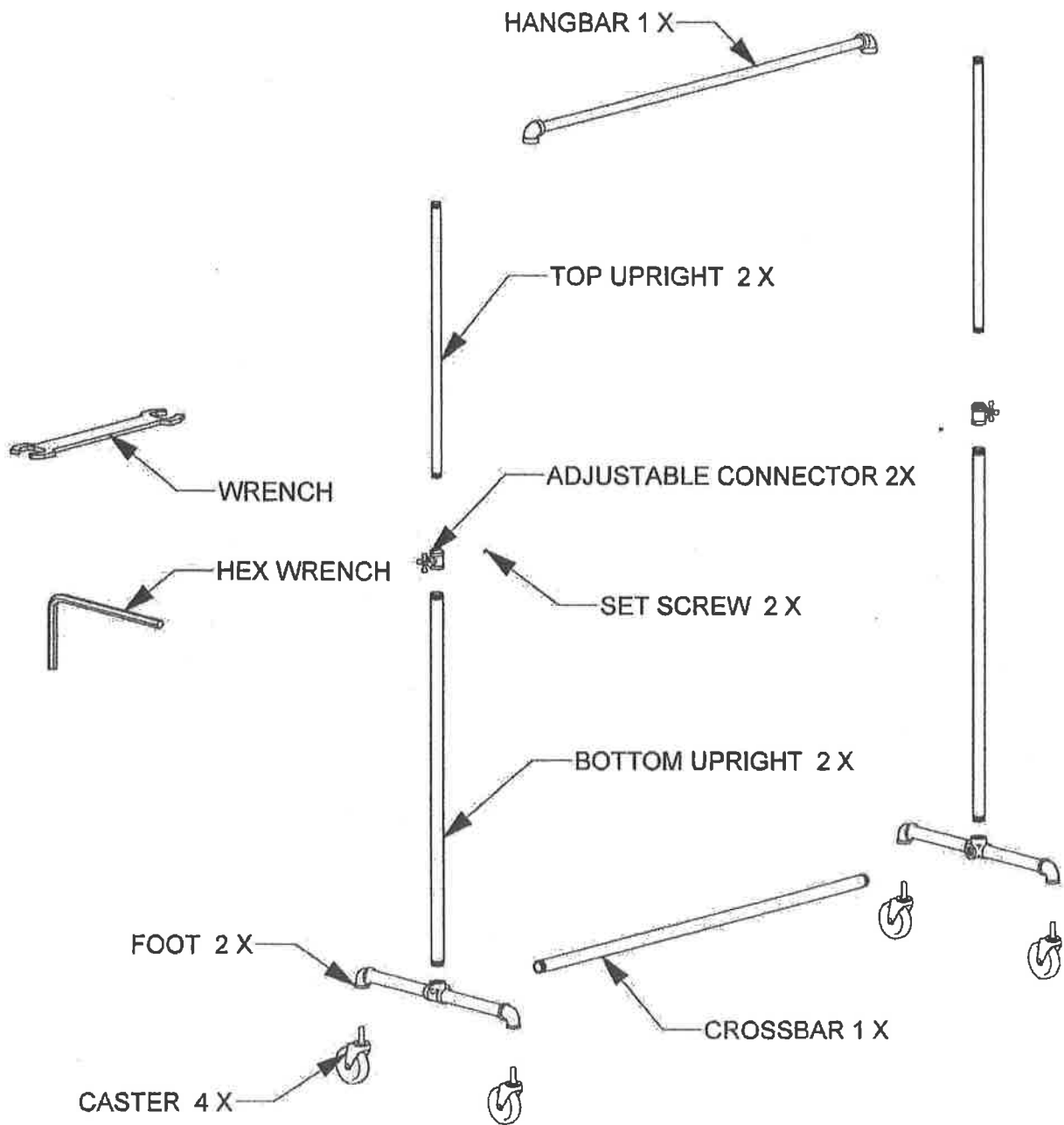


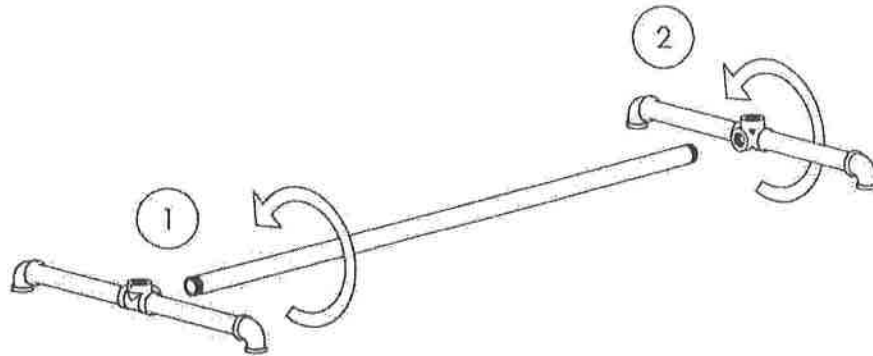
IDD INSTORE DESIGN DISPLAY

Adjustable Ballet Bar Rack
Part #IDD-PSBBADJ

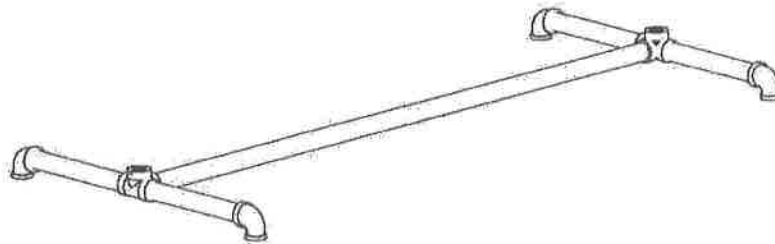


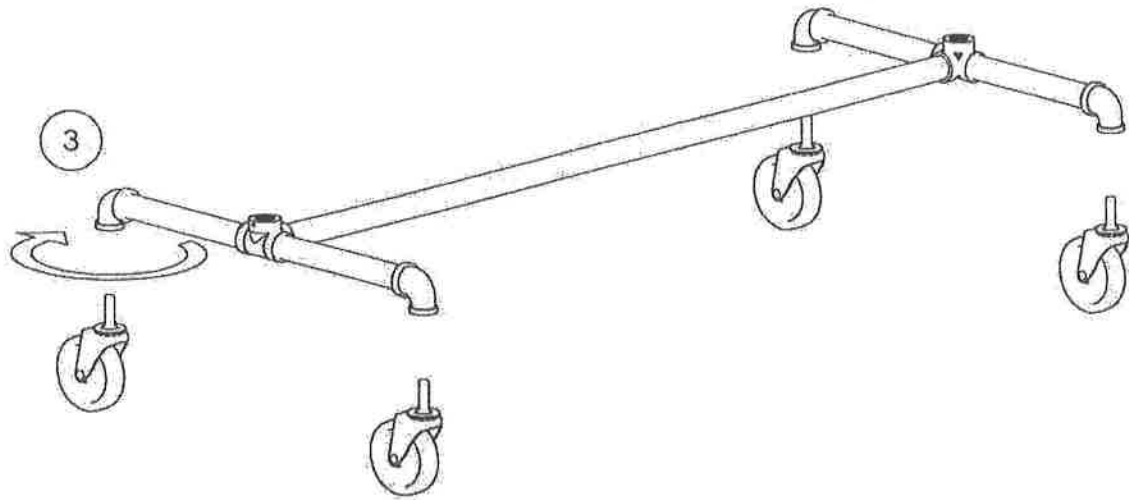


INCLUDED PARTS AND TOOLS

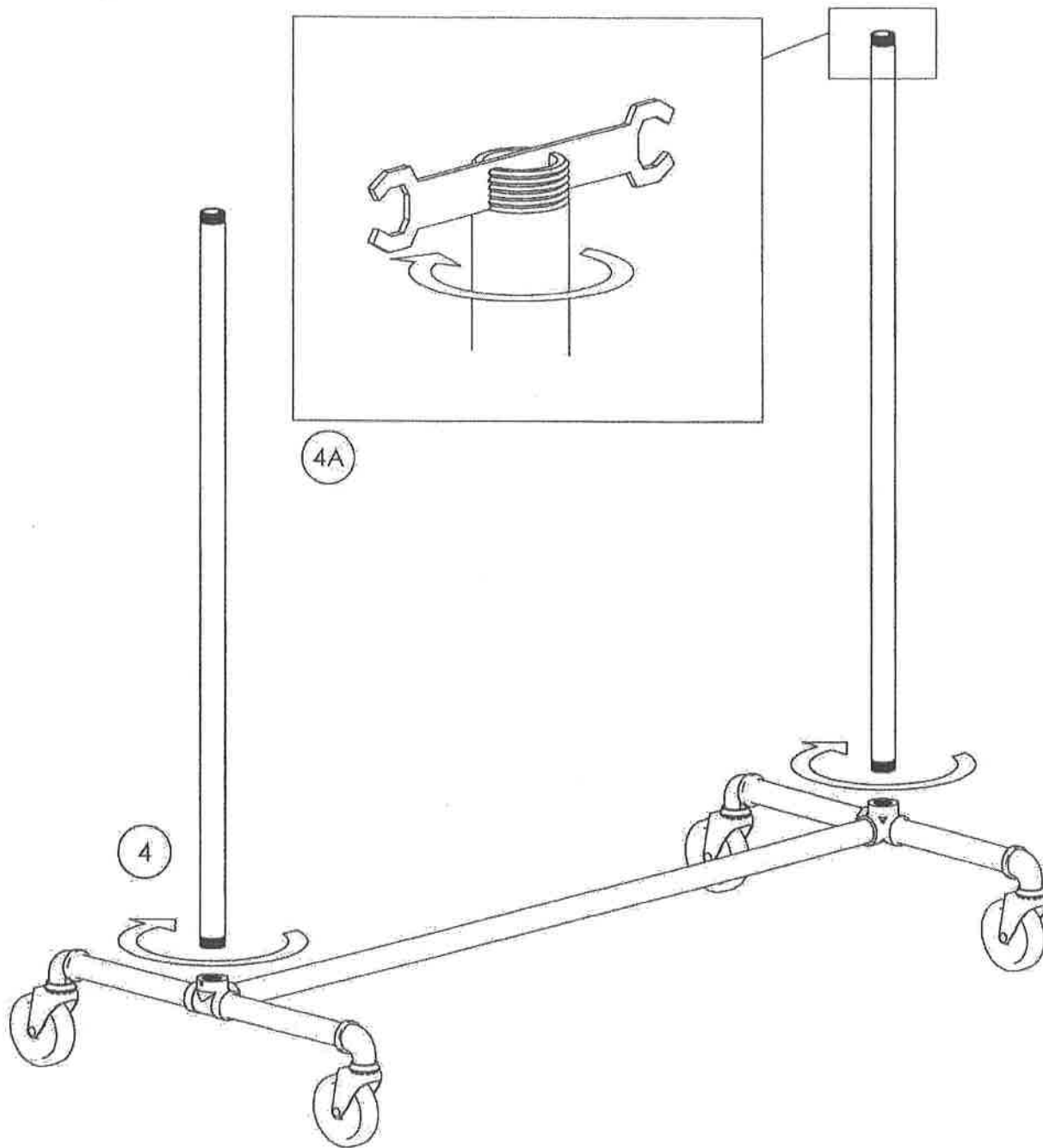


- ① BY HAND, SCREW IN THE CROSSBAR TO FOOT AS SHOWN. TIGHTEN FULLY.
- ② BY HAND, SCREW THE FOOT TO CROSSBAR AS SHOWN. TIGHTEN SUFFICIENTLY & MAKE SURE IT ALIGNS WITH THE OTHER FOOT AS SHOWN BELOW





3 SCREW IN THE CASTERS AS SHOWN USING PROVIDED WRENCH

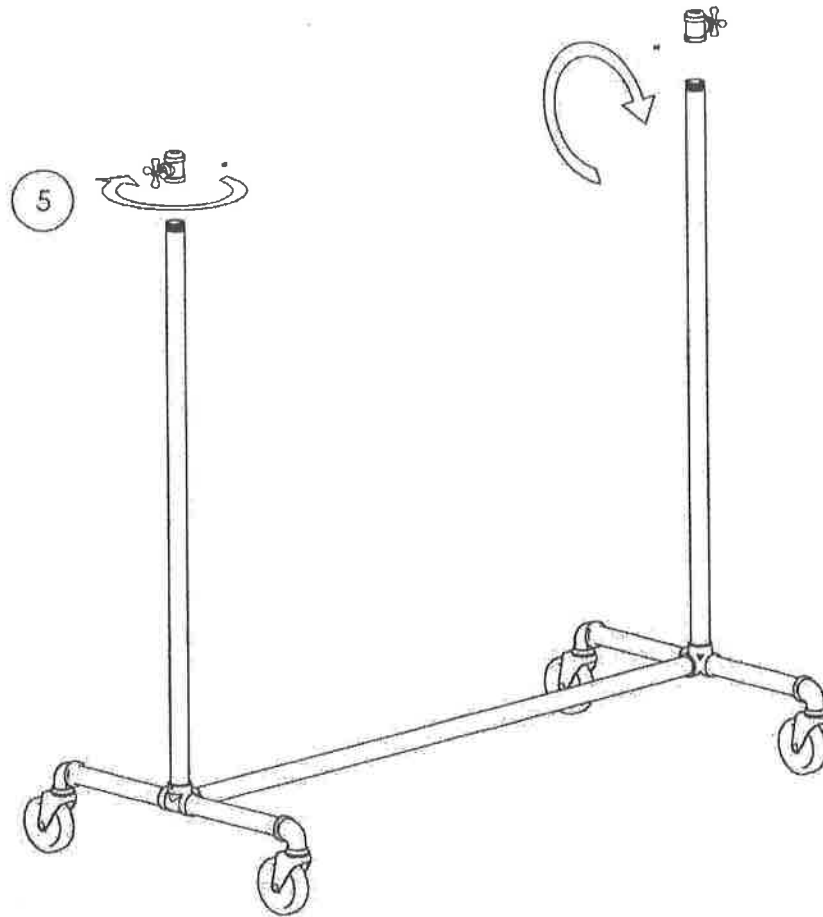


4

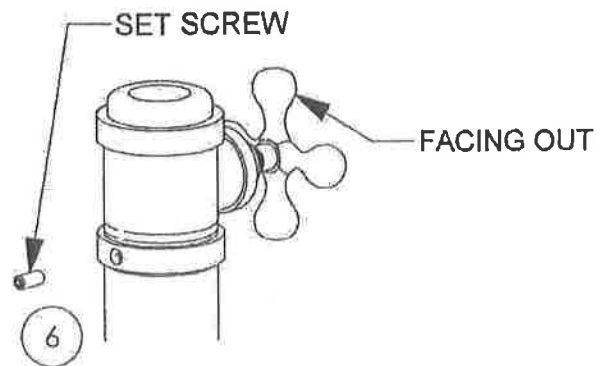
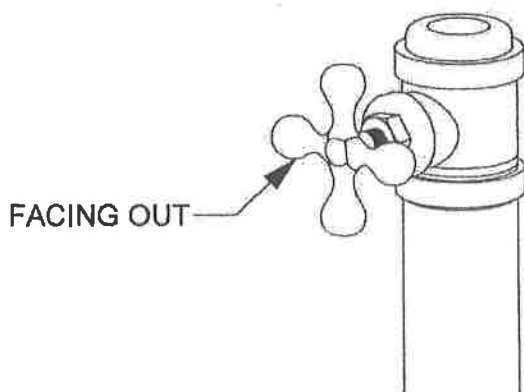
BY HAND, SCREW IN BOTTOM UPRIGHTS AS SHOWN

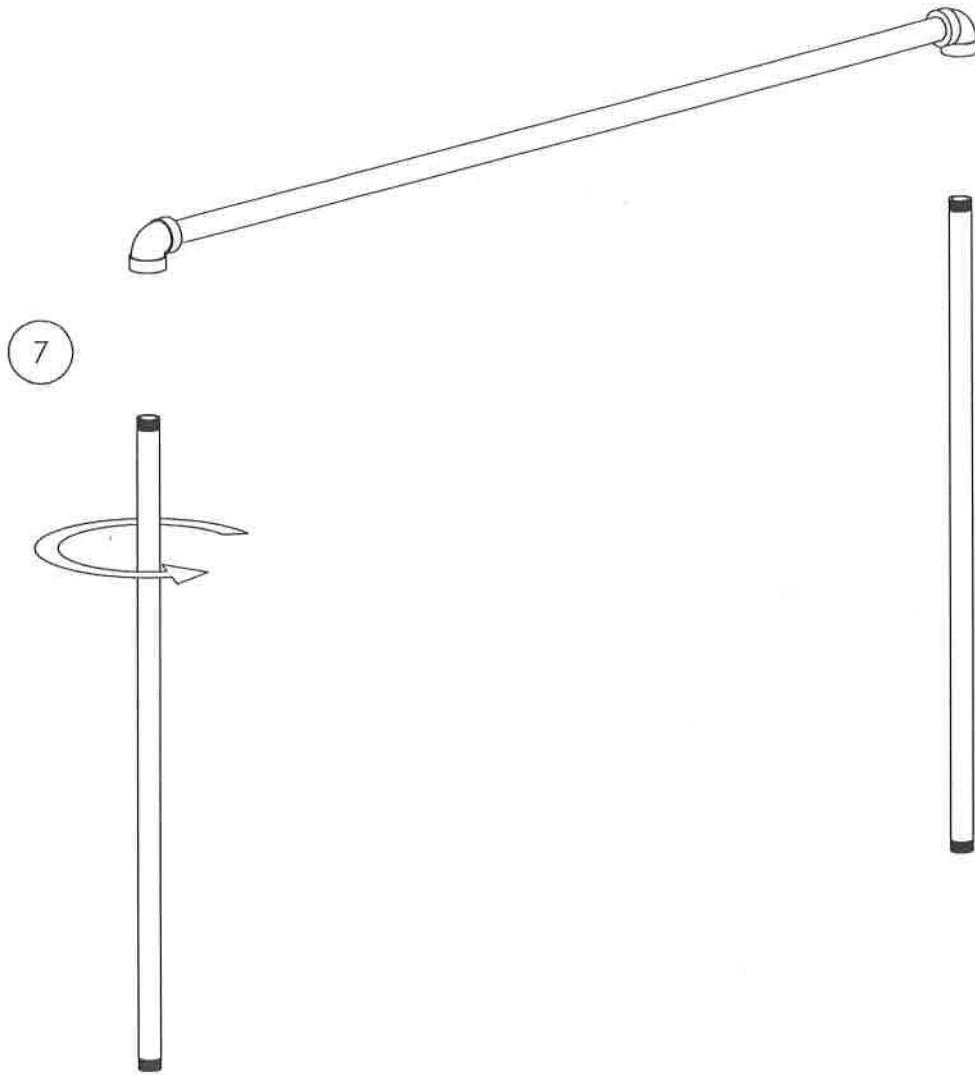
4A

TO FULLY TIGHTEN UPRIGHT, PLACE INCLUDED WRENCH INTO PIPE SLOTS AS SHOWN. TIGHTEN FULLY.



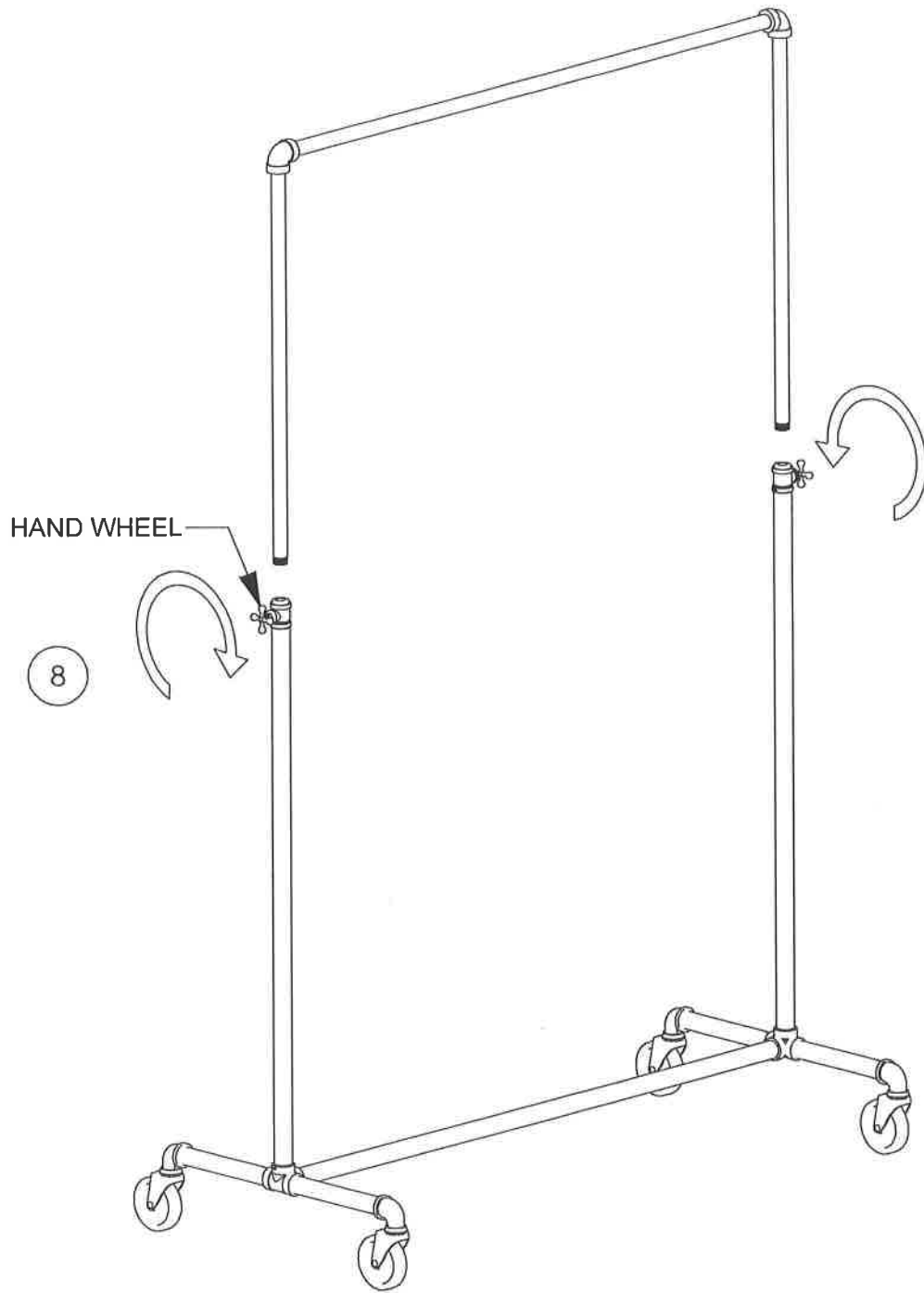
- 5 BY HAND, SCREW ADJUSTABLE CONNECTOR TO BOTTOM UPRIGHTS SUFFICIENTLY & THEN ADJUST SO THAT IT ALIGNS AS SHOWN BELOW
- 6 TIGHTEN SET SCREW USING HEX WRENCH TO LOCK ADJUSTABLE CONNECTOR IN PLACE.





7

BY HAND, SCREW TOP UPRIGHTS TO HANGBAR AS SHOWN



HAND WHEEL

8

8 (UNTIGHTEN HAND WHEEL)
DROP HANGBAR ASSEMBLY FROM STEP 7 AS SHOWN AT DESIRED HEIGHT
& LOCK IN POSITION BY TIGHTENING THE HAND WHEEL.